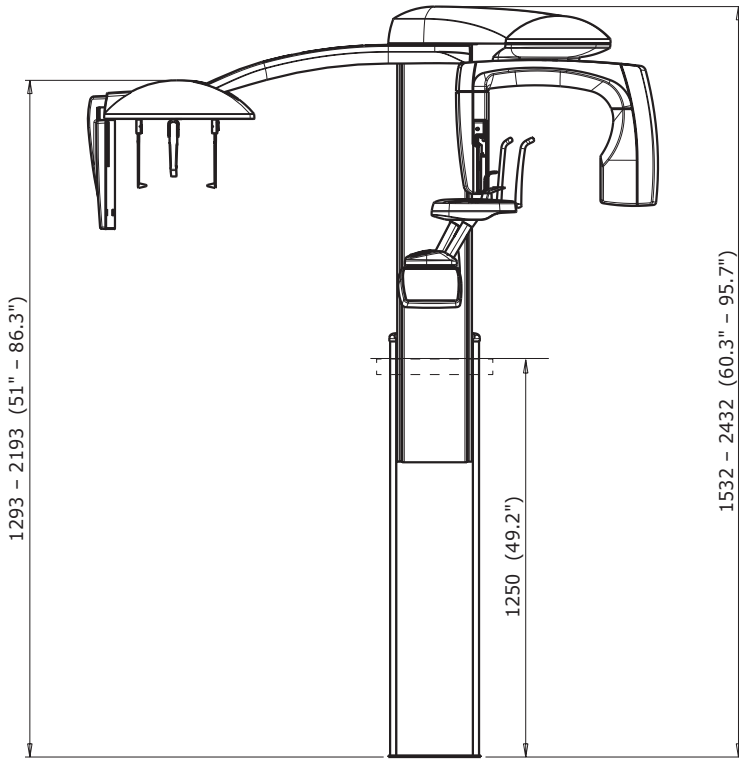
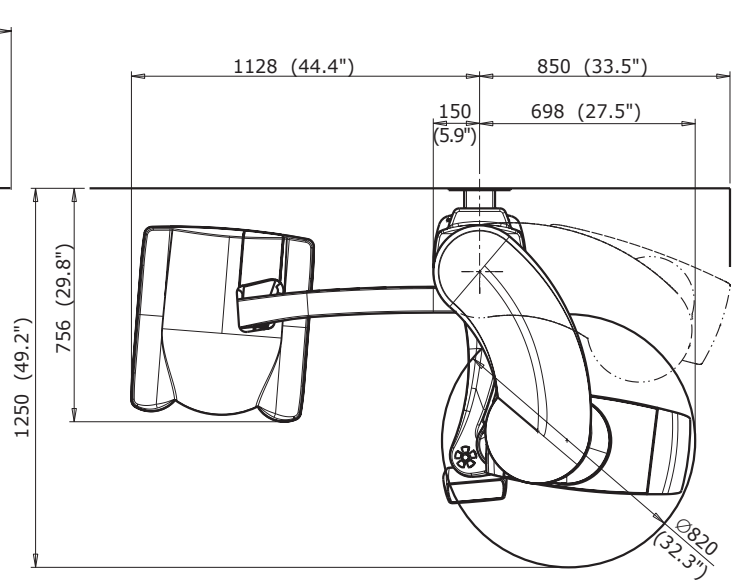
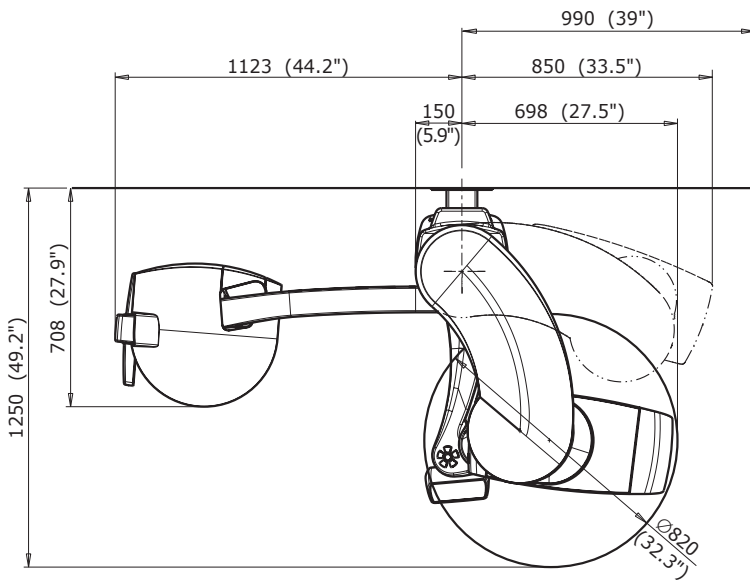
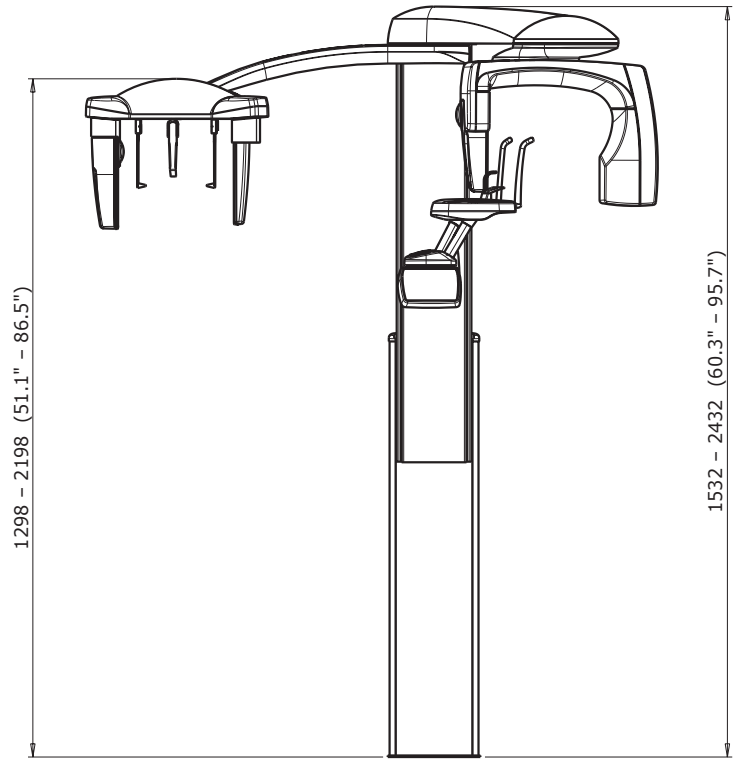


dimensions

Planmeca ProMax with Cephalostat



Planmeca ProMax with Dimax Ceph



Physical space requirements

		Width	Depth	Height*
Planmeca ProMax Panoramic	cm	96	123	153 - 243
	in.	38	48	60 - 96
Planmeca ProMax Panoramic with Cephalostat	cm	194	123	153 - 243
	in.	76	48	60 - 96

Minimum operational space requirements

		Width	Depth	Height*
Planmeca ProMax Panoramic	cm	150	163	243
	in.	59	64	96
Planmeca ProMax Panoramic with Cephalostat	cm	215	163	243
	in.	85	64	96

*The maximum height of the unit can be adjusted for offices with limited ceiling space.